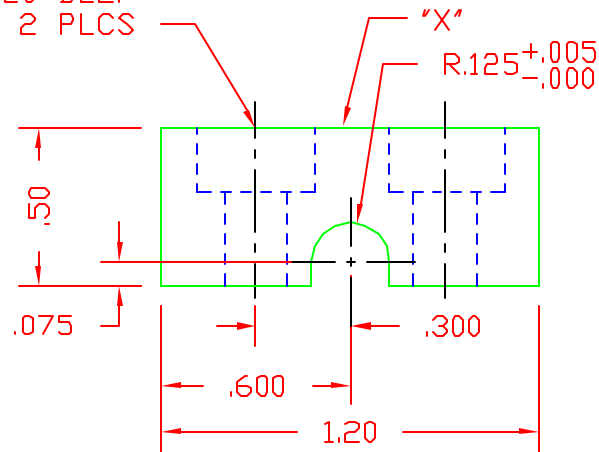
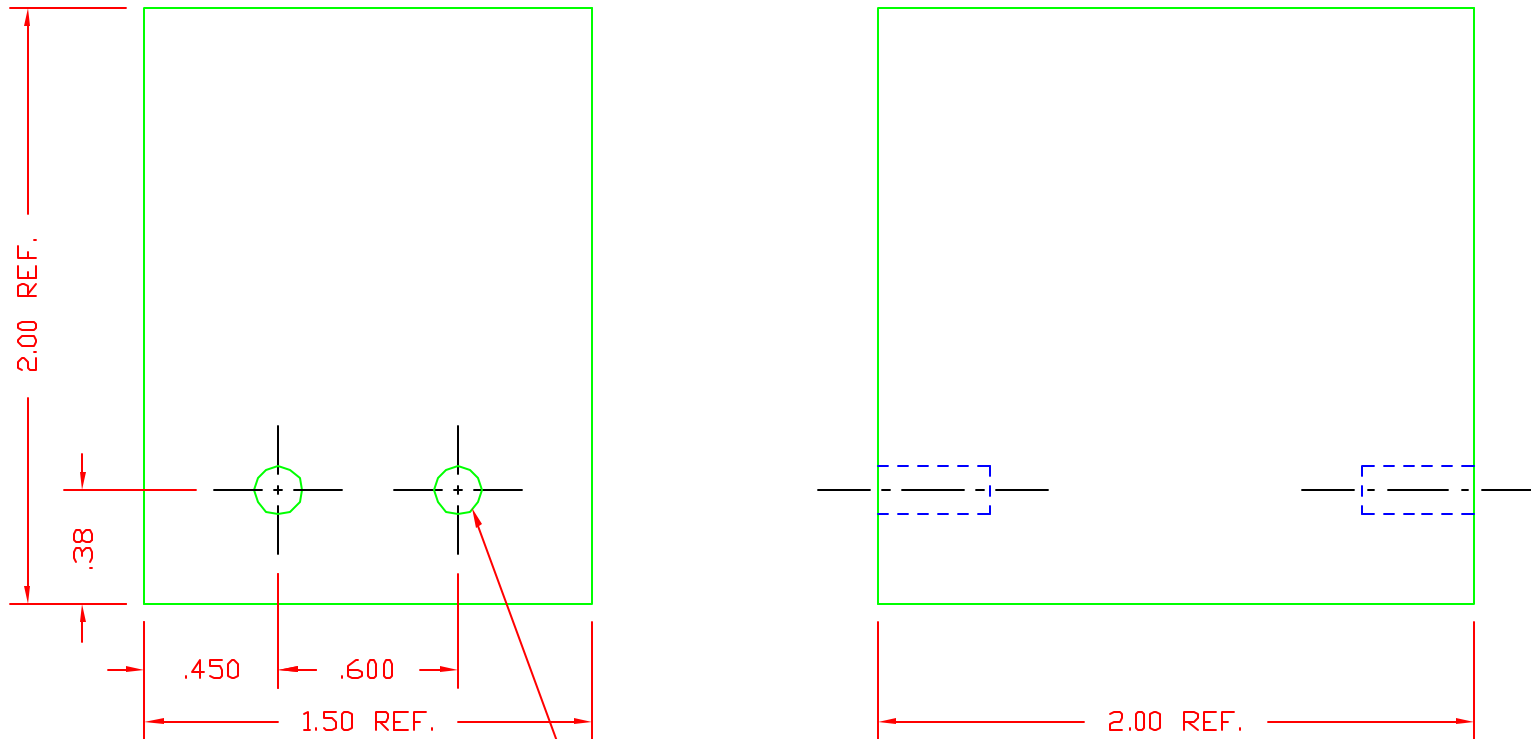


DRILL #7 (.201) THRU
 C-SINK \varnothing .38x.20 DEEP
 TYP 2 PLCS



UNLESS NOTED OTHER PLACES IN DIMENSION		SOLUTION #2		
.00	.000	FIBER OPTIC CLAMP		
\pm .02	\pm .005			
ALL DIMENSIONS IN INCHES				
STATION #12, 15		SIZE A	FIN: BLK. ANOD.	DWG NO. AMI1-2
MAT'L 6061 ALUM		NOT TO SCALE		REV B-1
		04/04/03		SHEET 1 OF 1

MARK DWG NO.
 IN AREA MARKED "X"



DRILL #21 (.159)x.375 DEEP
TAP 10x32 UNF TYP 4 PLCS

MARK DWG NO.
IN AREA MARKED "X"

UNLESS NOTED OTHER PLACES IN DIMENSION		SOLUTION #2	
.00	.000	MOUNTING BLOCK	
±.02	±.005		
ALL DIMENTIONS IN INCHES			
STATION #12, 15		SIZE A	REV B-1
MAT'L --		FIN: BLK. ANOD.	DWG NO. AMI1-3
		NOT TO SCALE	SHEET 1 OF 1
		04/04/03	